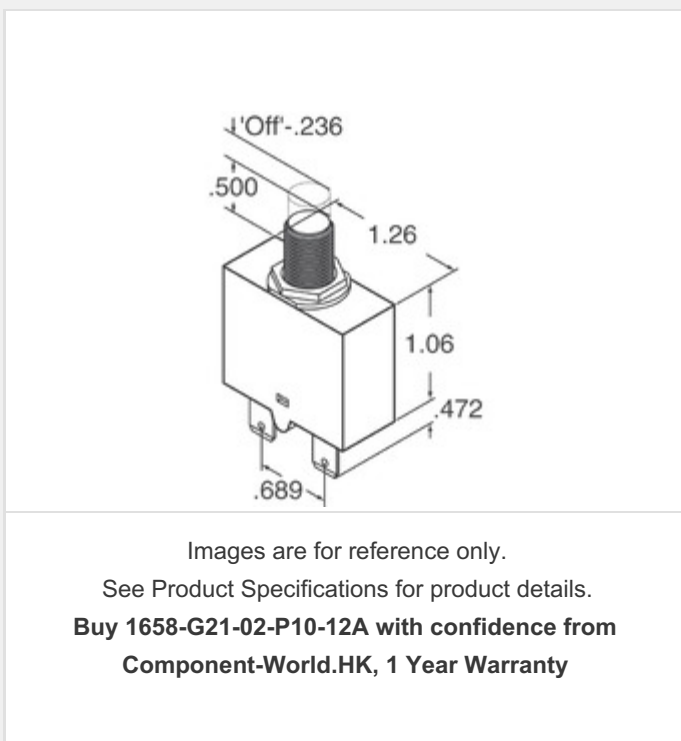


## 1658-G21-02-P10-12A



**Part Number:** 1658-G21-02-P10-12A  
**Manufacturer:** E-T-A  
**Description:** CIR BRKR THRM 12A 240VAC 28VDC  
**Data sheet:** [1658-G21,A00-xx-P\(10,13\)-xx Series](#)

**RoHS Status:** Lead free / RoHS Compliant  
**Ship From:** Hong Kong  
**Shipment Way:** DHL/Fedex/TNT/UPS/EMS

[Request For Quotation](#)

### PRODUCT PARAMETER

<b>Part Number</b>	1658-G21-02-P10-12A	<b>Manufacturer</b>	<a href="#">E-T-A</a>
<b>Description</b>	CIR BRKR THRM 12A 240VAC 28VDC	<b>Lead Free Status / RoHS Status</b>	Lead free / RoHS Compliant
<b>Quantity Available</b>	30782 pcs	<b>Data sheet</b>	<a href="#">1658-G21,A00-xx-P(10,13)-xx Series</a>
<b>Category</b>	<a href="#">Circuit Protection</a>	<b>Voltage Rating - DC</b>	28V
<b>Voltage Rating - AC</b>	240V	<b>Series</b>	1658
<b>Number of Poles</b>	1	<b>Mounting Type</b>	Panel Mount
<b>Moisture Sensitivity Level (MSL)</b>	1 (Unlimited)	<b>Manufacturer Standard Lead Time</b>	9 Weeks
<b>Lead Free Status / RoHS Status</b>	Lead free / RoHS Compliant	<b>Illumination Voltage (Nominal)</b>	-
<b>Illumination</b>	-	<b>Current Rating</b>	12A
<b>Breaker Type</b>	Thermal	<b>Actuator Type</b>	Push to Reset

Component-World.com is a Reliable Stocking Distributor of Electronic Components. We specialize in all E-T-A series electronic components. We have 30782 pieces of E-T-A 1658-G21-02-P10-12A in stock available now. Request a quote from electronics components distributor at Component-World.com, our sales team will contact you within 24 hours.  
RFQ Email: [info@Components-World.com](mailto:info@Components-World.com)

### RELATED PRODUCTS

	<b>Part#:</b> <a href="#">1658-G21-02-P10-35A</a> <b>Description:</b> CIR BRKR THRM 35A 240VAC 28VDC	<b>Manufacturers:</b> <a href="#">E-T-A</a>	<a href="#">RFQ</a>
	<b>Part#:</b> <a href="#">1658-G21-02-P10-055800-15A</a> <b>Description:</b> CIR BRKR THRM 15A 240VAC 28VDC	<b>Manufacturers:</b> <a href="#">E-T-A</a>	<a href="#">RFQ</a>
	<b>Part#:</b> <a href="#">1658-G21-02-P10-6A</a> <b>Description:</b> CIR BRKR THRM 6A 240VAC 28VDC	<b>Manufacturers:</b> <a href="#">E-T-A</a>	<a href="#">RFQ</a>
	<b>Part#:</b> <a href="#">1658-G21-02-P10-055800-16A</a> <b>Description:</b> CIRC BRKR THRM	<b>Manufacturers:</b> <a href="#">E-T-A</a>	<a href="#">RFQ</a>
	<b>Part#:</b> <a href="#">1658-G21-02-P10-055800-12A</a> <b>Description:</b> CIR BRKR THRM 12A 240VAC 28VDC	<b>Manufacturers:</b> <a href="#">E-T-A</a>	<a href="#">RFQ</a>
	<b>Part#:</b> <a href="#">1658-G21-02-P10-13A</a> <b>Description:</b> CIR BRKR THRM 13A 240VAC 28VDC	<b>Manufacturers:</b> <a href="#">E-T-A</a>	<a href="#">RFQ</a>
	<b>Part#:</b> <a href="#">1658-G21-02-P10-15A</a> <b>Description:</b> CIR BRKR THRM 15A 240VAC 28VDC	<b>Manufacturers:</b> <a href="#">E-T-A</a>	<a href="#">RFQ</a>
	<b>Part#:</b> <a href="#">1658-G21-02-P10-7A</a> <b>Description:</b> CIR BRKR THRM 7A 240VAC 28VDC	<b>Manufacturers:</b> <a href="#">E-T-A</a>	<a href="#">RFQ</a>
	<b>Part#:</b> <a href="#">1658-G21-02-P10-055800-20A</a> <b>Description:</b> CIR BRKR THRM 20A 240VAC 28VDC	<b>Manufacturers:</b> <a href="#">E-T-A</a>	<a href="#">RFQ</a>
	<b>Part#:</b> <a href="#">1658-G21-02-P10-16A</a> <b>Description:</b> CIR BRKR THRM 16A 240VAC 28VDC	<b>Manufacturers:</b> <a href="#">E-T-A</a>	<a href="#">RFQ</a>
	<b>Part#:</b> <a href="#">1658-G21-02-P10-25A</a> <b>Description:</b> CIR BRKR THRM 25A 240VAC 28VDC	<b>Manufacturers:</b> <a href="#">E-T-A</a>	<a href="#">RFQ</a>
	<b>Part#:</b> <a href="#">1658-G21-02-P10-30A</a> <b>Description:</b> CIR BRKR THRM 30A 240VAC 28VDC	<b>Manufacturers:</b> <a href="#">E-T-A</a>	<a href="#">RFQ</a>
	<b>Part#:</b> <a href="#">1658-G21-01-S83-D01-20A</a> <b>Description:</b> CIR BRKR THRM 20A 240VAC 28VDC	<b>Manufacturers:</b> <a href="#">E-T-A</a>	<a href="#">RFQ</a>
	<b>Part#:</b> <a href="#">1658-G21-01-S83-D01-30A</a> <b>Description:</b> CIR BRKR THRM 30A 240VAC 28VDC	<b>Manufacturers:</b> <a href="#">E-T-A</a>	<a href="#">RFQ</a>
	<b>Part#:</b> <a href="#">1658-G21-02-P10-055800-10A</a> <b>Description:</b> CIR BRKR THRM 10A 240VAC 28VDC	<b>Manufacturers:</b> <a href="#">E-T-A</a>	<a href="#">RFQ</a>
	<b>Part#:</b> <a href="#">1658-G21-02-P10-10A</a> <b>Description:</b> CIR BRKR THRM 10A 240VAC 28VDC	<b>Manufacturers:</b> <a href="#">E-T-A</a>	<a href="#">RFQ</a>
	<b>Part#:</b> <a href="#">1658-G21-02-P10-055800-8A</a> <b>Description:</b> CIR BRKR THRM 8A 240VAC 28VDC	<b>Manufacturers:</b> <a href="#">E-T-A</a>	<a href="#">RFQ</a>
	<b>Part#:</b> <a href="#">1658-G21-02-P10-5A</a> <b>Description:</b> CIR BRKR THRM 5A 240VAC/28VDC	<b>Manufacturers:</b> <a href="#">E-T-A</a>	<a href="#">RFQ</a>
	<b>Part#:</b> <a href="#">1658-G21-02-P10-20A</a> <b>Description:</b> CIR BRKR THRM 20A 240VAC 28VDC	<b>Manufacturers:</b> <a href="#">E-T-A</a>	<a href="#">RFQ</a>
	<b>Part#:</b> <a href="#">1658-G21-02-P10-055801-25A</a> <b>Description:</b> CIR BRKR THRM 25A 240VAC 28VDC	<b>Manufacturers:</b> <a href="#">E-T-A</a>	<a href="#">RFQ</a>

### Related keywords for 1658-G21-02-P10-12A

E-T-A 1658-G21-02-P10-12A	1658-G21-02-P10-12A distributor	1658-G21-02-P10-12A supplier	1658-G21-02-P10-12A price
1658-G21-02-P10-12A download datasheet	1658-G21-02-P10-12A datasheet	1658-G21-02-P10-12A stock	buy 1658-G21-02-P10-12A
E-T-A 1658-G21-02-P10-12A			